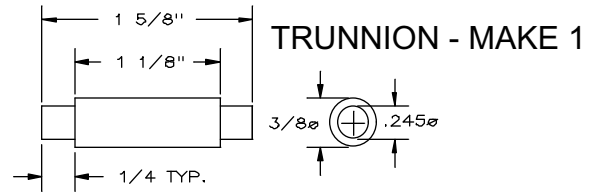
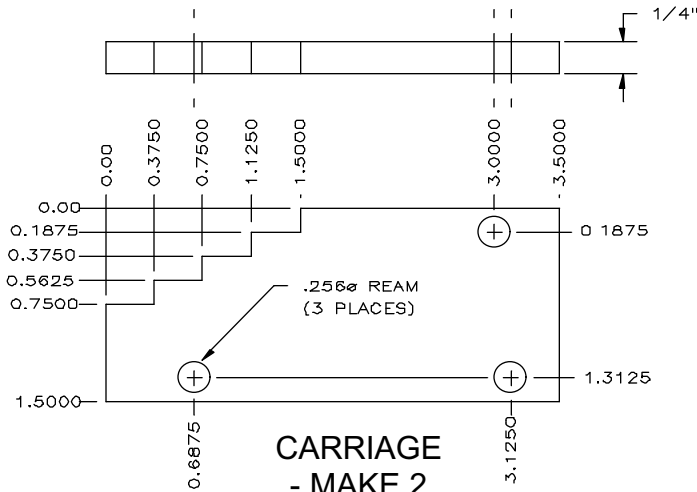


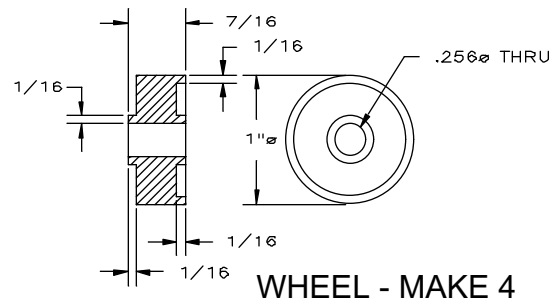
AXLE - MAKE 2



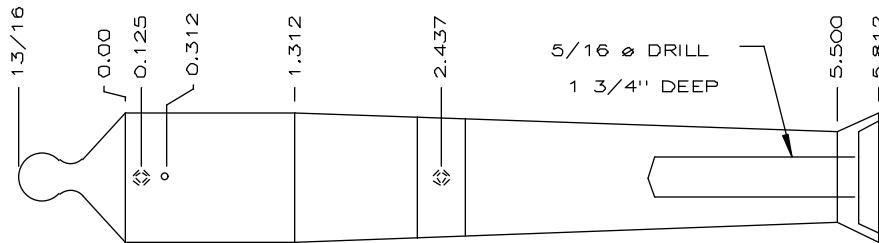
TRUNNION - MAKE 1



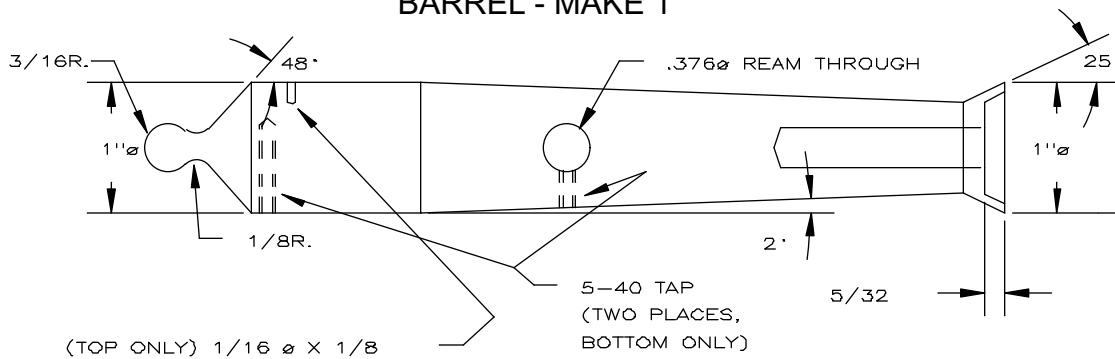
CARRIAGE  
- MAKE 2



WHEEL - MAKE 4



BARREL - MAKE 1



This is a simplified model of a naval 24 pounder. It is a nice metal shop project. Use a set screw to secure the trunnion in the barrel and a longer screw for elevation

against the rear axle. The Carriage sides capture the barrel and the axles. The wheels retain the carriage sides and cotter pins hold the wheels in place. RVB